

# Snap-on Equipment

Via Provinciale per Carpi, 33 42015 Correggio (RE) - ITALY

## Service Bulletin

<b>Number</b>	: 584 (Based on WA 1091)
<b>Date</b>	: December 1, 2006
<b>Models Affected</b>	:
<b>Starting from s/n</b>	: October 2006
<b>Subject</b>	: New premium aligner turntable

### ENGLISH

A new premium alignment turntable is being released which will replace all turntables previously offered except the model 72E and the electronic model 82EUR.

This new turntable, **already available**, is designed to adapt to various lift/rack models from multiple manufacturers. The construction is high quality painted cast aluminum base and platter with stainless steel wear surfaces, balls and hardware. The product is extremely corrosion resistant and durable. The performance is extremely smooth under all load conditions.

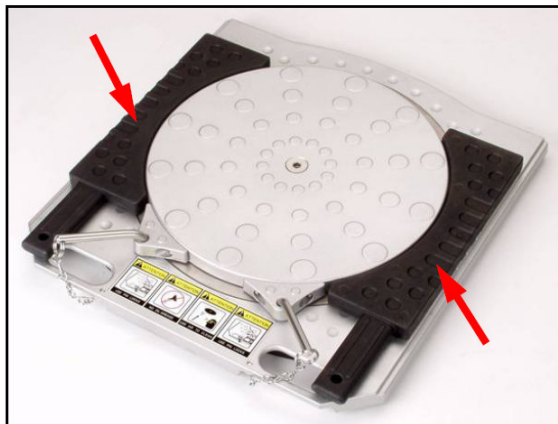
The plate surface is 20% larger than existing products,  
Providing more room for rollback on Imaging Alignment

systems. The overall base of the assembly is also larger, a total of 18.4" [468mm] front to rear. A unique roll-back paddle fits perfectly around the platter on the oversize base to provide a large 9" [230mm] rollback surface without ever leaving the turntable.



### EAK0277J23A Premium Turntable Kit

Roll-back & roll-forward paddles in place



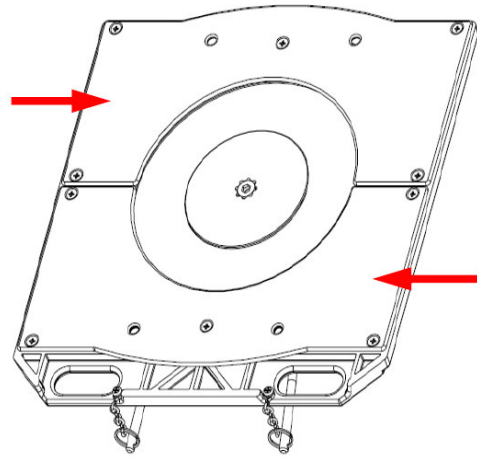
Removable lock pin locators



Adaptable height base pad



Bottom view showing base pads attached



A variety of accessory kits, below listed, are also available for many manufacturer's lift configurations which provide a smooth transition from turntable to lift surface, which is critical to Imaging Alignment applications requiring more than 9" of vehicle travel.

**4029541 / EAK0277J57A Dust Cover Kit**



**4029542 / EAK0277J28A Paddle Kit**

